

Packing and Covering Immersion Models of Planar subcubic Graphs^a

Archontia Giannopoulou^{b,c} O-jeung Kwon^{d,e} Jean-Florent Raymond^{b,f,g}

Dimitrios M. Thilikos^{f,h}

Abstract

A graph H is an immersion of a graph G if H can be obtained by some subgraph G after lifting incident edges. We prove that there is a polynomial function $f : \mathbb{N} \times \mathbb{N} \rightarrow \mathbb{N}$, such that if H is a connected planar subcubic graph on $h > 0$ edges, G is a graph, and k is a non-negative integer, then either G contains k vertex/edge-disjoint subgraphs, each containing H as an immersion, or G contains a set F of $f(k, h)$ vertices/edges such that $G \setminus F$ does not contain H as an immersion.

keywords: Erdős–Pósa properties, Graph immersions, Packings and coverings in graphs

1 Introduction

All graphs in this paper are finite, undirected, loopless, and may have multiedges. Let \mathcal{C} be a class of graphs. An \mathcal{C} -*vertex/edge cover* of G is a set S of vertices/edges such that each subgraph of G that is isomorphic to a graph in \mathcal{C} contains some element of S . A \mathcal{C} -*vertex/edge packing* of G is a collection of vertex/edge-disjoint subgraphs of G , each isomorphic to some graph in \mathcal{C} .

We say that a graph class \mathcal{C} has the *vertex/edge Erdős–Pósa property* (shortly *v/e-E&P property*) for some graph class \mathcal{G} if there is a function $f : \mathbb{N} \rightarrow \mathbb{N}$, called a *gap function*, such that, for every graph G in \mathcal{G} and every non-negative integer k , either G has a vertex/edge \mathcal{C} -packing of size k or G has a vertex/edge \mathcal{C} -cover of size $f(k)$. In the case where \mathcal{G} is the class of all graphs we simply say that \mathcal{C} has the *v/e-E&P property*. An interesting topic in Graph Theory, related to the notion of duality between graph

^aEmails: archontia.giannopoulou@gmail.com, ojeungkwon@gmail.com, jean-florent.raymond@mimuw.edu.pl, sedthilk@thilikos.info.

^bInstitute of Informatics, University of Warsaw, Poland.

^cSupported by the Warsaw Center of Mathematics and Computer Science.

^dInstitute for Computer Science and Control, Hungarian Academy of Sciences, Hungary.

^eSupported by ERC Starting Grant PARAMTIGHT (No. 280152).

^fAlGCo project team, CNRS, LIRMM, Montpellier, France.

^gSupported by the (Polish) National Science Centre grant PRELUDIUM 2013/11/N/ST6/02706.

^hDepartment of Mathematics, National and Kapodistrian University of Athens, Greece.

parameters, is to detect instantiations of \mathcal{C} and \mathcal{G} such that \mathcal{C} has the v/e-E&P property for \mathcal{G} and, if yes, optimize the corresponding gap. Certainly, the first result of this type was the celebrated result of Erdős and Pósa in [11] who proved that the class of all cycles has the v-E&P property with gap function $O(k \cdot \log k)$. This result have triggered a lot of research on its possible extensions. One of the most general ones was given in [24] where its was proven that the class of graphs that are contractible to some graph H have the v-E&P property iff H is planar (see also [4, 5, 8] for improvements on the gap function).

Other instantiations of \mathcal{C} for which the v-E&P property has been proved concern odd cycles [18, 21], long cycles [2], and graphs containing cliques as minors [9] (see also [14, 16, 23] for results on more general combinatorial structures).

As noticed in [8], cycles have the e-E&P property as well. Interestingly, only few more results exist for the cases where the e-E&P property is satisfied. It is known for instance that graphs contractible to θ_r (i.e. the graph consisting of two vertices and an edge of multiplicity r between them) have the e-E&P property [3]. Moreover it was proven that odd cycles have the e-E&P property for planar graphs [19] and for 4-edge-connected graphs [18].

Given two graphs G and H , we say that H is an *immersion* of G if H can be obtained from some subgraph of G by lifting incident edges (see Section 2 for the definition of the lift operation). Given a graph H , we denote by $\mathcal{I}(H)$ the set of all graphs that contain H as an immersion. Using this terminology, the edge variant of the original result of Erdős and Pósa in [11] implies that the class $\mathcal{I}(\theta_2)$ has the v-E&P property (and, according to [8], the e-E&P property as well). A natural question is whether this can be extended for $\mathcal{I}(H)$, for other H 's, different than θ_2 . This is the question that we consider in this paper. A distinct line of research is to identify the graph classes \mathcal{G} such that for every graph H , $\mathcal{I}(H)$ has the e-E&P property for \mathcal{G} . In this direction, it was recently proved in [20] that for every graph H , $\mathcal{I}(H)$ has the e-E&P property for 4-edge-connected graphs.

In this paper we show that if H is non-trivial (i.e., has at least one edge), connected, planar, and subcubic, i.e., each vertex is incident to at most 3 edges, then $\mathcal{I}(H)$ has the v/e-E&P property (with polynomial gap in both cases). More concretely, our main result is the following.

Theorem 1. *Let H be a connected planar subcubic graph of $h > 0$ edges, let $k \in \mathbb{N}$, and let G be a graph without any $\mathcal{I}(H)$ -vertex/edge packing of size greater than k . Then G has a $\mathcal{I}(H)$ -vertex/edge cover of size bounded by a polynomial function of h and k .*

The main tools of our proof are the graph invariants of tree-cut width and tree-partition width, defined in [28] and [10] respectively (see Section 2 for the formal definitions). Our proof uses the fact that every graph of polynomially (on k) big tree-cut width contains a wall of height k as an immersion (as proved in [28]). This permits us to consider only graphs of bounded tree-cut width and, by applying suitable reductions, we finally reduce the problem to graphs of bounded tree partition width (Theorem 2). The result follows as we next prove that for every H , the class $\mathcal{I}(H)$ has the e-E&P property for graphs of bounded tree-partition width (Theorem 3).

One might conjecture that the result in Theorem 1 is tight in the sense that both being planar and subcubic are necessary for H in order $\mathcal{I}(H)$ to have the e-E&P property. In this direction, in Section 7, we give counterexamples for the cases where H is planar but not subcubic and is subcubic but not planar.

2 Definitions and preliminary results

We use \mathbb{N}^+ for the set of all positive integers and we set $\mathbb{N} = \mathbb{N}^+ \cup \{0\}$. Given a function $f : A \rightarrow B$ and a set $C \subseteq A$, we denote by $f|_C = \{(x, f(x)) \mid x \in C\}$.

Graphs. As already mentioned, we deal with loopless graphs where multiedges are allowed. Given a graph G , we denote by $V(G)$ its set of vertices and by $E(G)$ its multiset of edges. The notation $|E(G)|$ stands for the total number of edges, that is, counting multiplicities. We use the term *multiedge* to refer to a 2-element set of adjacent vertices and the term *edge* to deal with one particular instantiation of the multiedge connecting two vertices. The function mult_G maps a set of two vertices of G to the multiplicity of the edge connecting them, or zero if they are not adjacent. If $\text{mult}_G(\{u, v\}) = k$ for some $k \in \mathbb{N}^+$, we denote by $\{u, v\}_1, \dots, \{u, v\}_k$ the distinct edges connecting u and v . For the sake of clarity, we identify a multiedge of multiplicity one and its edge and write $\{u, v\}$ instead of $\{u, v\}_1$ when $\text{mult}_G(\{u, v\}) = 1$.

We denote by $\text{deg}_G(v)$ the degree of a vertex v in a graph G , that is, the number of vertices that are adjacent to v . The multidegree of v , that we write $\text{mdeg}_G(v)$, is the number of edges (i.e. counting multiplicities) incident with v . We drop the subscript when it is clear from the context.

Immersion. Let H and G be graphs. We say that G contains H as an *immersion* if there is a pair of functions (ϕ, ψ) , called an *H -immersion model*, such that ϕ is an injection of $V(H) \rightarrow V(G)$ and ψ sends $\{u, v\}_i$ to a path of G between $\phi(u)$ and $\phi(v)$, for every $\{u, v\} \in E(H)$ and every $i \in \{1, \dots, \text{mult}_H(\{u, v\})\}$, in a way such that distinct edges are sent to edge-disjoint paths. Every vertex in the image of ϕ is called a *branch vertex*. We will make use of the following easy observation.

Observation 1. *Let H and G be two graphs, and let (ϕ, ψ) be an H -immersion model in G . Then for every vertex x of G , we have $\text{mdeg}_H(x) \leq \text{mdeg}_G(\phi(x))$.*

An *H -immersion expansion* M in a graph G is a subgraph of G defined as follows: $V(M) = \phi(V(H)) \cup \bigcup_{e \in H} V(\psi(e))$ and $E(M) = \bigcup_{e \in H} E(\psi(e))$ for some H -immersion model (ϕ, ψ) of G . We call the paths in $\psi(E(H))$ *certifying paths* of the H -immersion expansion M .

We say that two edges are *incident* if they share some endpoint. A *lift* of two incident edges $e_1 = \{x, y\}$ and $e_2 = \{y, z\}$ of G is the operation that removes the edges e_1 and e_2 from the graph and then, if $x \neq z$, adds the edge $\{y, z\}$ (or increases the multiplicity of $\{y, z\}$ if this edge already exists). Notice that H is an immersion of G if and only if

a graph isomorphic to H can be obtained from some subgraph of G after applying lifts of incident edges¹.

The *dissolution* of a vertex of degree two of a graph is the operation of adding an edge joining its endpoints and then deleting this vertex.

Packings and coverings. An H -cover of G is a set $C \subseteq E(G)$ such that $G \setminus C$ does not contain H as an immersion. An H -packing in G is a collection of edge-disjoint H -immersion expansions in G . We denote by $\mathbf{pack}_H(G)$ the maximum size of an H -packing and by $\mathbf{cover}_H(G)$ the minimum size of an H -covering in G .

Rooted trees. A *rooted tree* is a pair (T, s) where T is a tree and $s \in V(T)$ is a vertex referred to as the *root*. Given a vertex $x \in V(T)$, the *descendants* of x in (T, s) , denoted by $\text{desc}_{(T,s)}(x)$, is the set containing each vertex w such that the unique path from w to s in T contains x . If y is a descendant of x and is adjacent to x , then it is a *child* of x . Two vertices of T are *siblings* if they are children of the same vertex. Given a rooted tree (T, s) and a vertex $x \in V(G)$, the *height* of x in (T, s) is the maximum distance between x and a vertex in $\text{desc}_{(T,s)}(x)$.

We now define two types of decompositions of graphs: tree-partitions (cf. [15, 26]) and tree-cut decompositions (cf. [28]).

Tree-partitions. We introduce, especially for the needs of our proof, a multigraph extension of the parameter of tree-partition width defined in [15, 26] where we could consider the number of edges between the bags and the number of vertices in the bags. A *tree-partition* of a graph G is a pair $\mathcal{D} = (T, \mathcal{X})$ where T is a tree and $\mathcal{X} = \{X_t\}_{t \in V(T)}$ is a partition of $V(G)$ such that either $|V(T)| = 1$ or for every $\{x, y\} \in E(G)$, there exists an edge $\{t, t'\} \in E(T)$ where $\{x, y\} \subseteq X_t \cup X_{t'}$. We call the elements of \mathcal{X} *bags* of \mathcal{D} . Given an edge $f = \{t, t'\} \in E(T)$, we define E_f as the set of edges with one endpoint in X_t and the other in $X_{t'}$. The *width* of \mathcal{D} is defined as $\max\{|X_t|_{t \in V(T)} \cup \{|E_f|_{f \in E(T)}\}$. The *tree-partition width* of G is the minimum width over all tree-partitions of G and will be denoted by $\mathbf{tpw}(G)$. A *rooted tree-partition* of a graph G is a triple $\mathcal{D} = ((T, s), \mathcal{X})$ where (T, s) is a rooted tree and (\mathcal{X}, T) is a tree-partition of G .

Tree-cut decompositions. A *near-partition* of a set S is a collection of pairwise disjoint subsets $S_1, \dots, S_k \subseteq S$ (for some $k \in \mathbb{N}$) such that $\bigcup_{i=1}^k S_i = S$. Observe that this definition allows a set of the family to be empty. A *tree-cut decomposition* of a graph G is a pair $\mathcal{D} = (T, \mathcal{X})$ where T is a tree and $\mathcal{X} = \{X_t\}_{t \in V(T)}$ is a near-partition of $V(G)$. As in the case of tree-partitions, we call the elements of \mathcal{X} *bags* of \mathcal{D} . A *rooted tree-cut decomposition* of a graph G is a triple $\mathcal{D} = ((T, s), \mathcal{X})$ where (T, s) is a rooted tree and (\mathcal{X}, T) is a tree-cut decomposition of G . Given that $\mathcal{D} = ((T, s), \mathcal{X})$ is a rooted tree partition or a rooted tree-cut decomposition of G and given $t \in V(T)$, we set $G_t = G \left[\bigcup_{t \in \text{desc}_{(T,s)}(t)} X_t \right]$.

¹While we mentioned this definition in the introduction, we now adopt the more technical definition of immersion in terms of immersion models as this will facilitate the presentation of the proofs.

The *torso* of a tree-cut decomposition (T, \mathcal{X}) at a node t is the graph obtained from G as follows. If $V(T) = \{t\}$, then the torso at t is G . Otherwise let T_1, \dots, T_ℓ be the connected components of $T \setminus t$. The torso H_t at t is obtained from G by *consolidating* each vertex set $\bigcup_{b \in V(T_i)} X_b$ into a single vertex z_i . The operation of consolidating a vertex set Z into z is to replace Z with z in G , and for each edge e between Z and $v \in V(G) \setminus Z$, adding an edge zv in the new graph. Given a graph G and $X \subseteq V(G)$, let the *3-center* of (G, X) be the unique graph obtained from G by suppressing vertices in $V(G) \setminus X$ of degree two and deleting vertices of degree 1. For each node t of T , we denote by \widetilde{H}_t the *3-center* of (H_t, X_t) , where H_t is the torso of (T, \mathcal{X}) at t .

Let $\mathcal{D} = ((T, s), \mathcal{X})$ be a rooted tree-cut decomposition of G . The adhesion of a vertex t of T , that we write $\text{adh}_{\mathcal{D}}(t)$, is the number of edges with exactly one endpoint in G_t . The *width* of a tree-cut decomposition (\mathcal{X}, T) of G is $\max_{t \in V(T)} \{\text{adh}_{\mathcal{D}}(t), |\widetilde{H}_t|\}$. The *tree-cut width* of G , denoted by $\text{tcw}(G)$, is the minimum width over all tree-cut decompositions of G .

A vertex $t \in V(T)$ is *thin* if $\text{adh}_{\mathcal{D}}(t) \leq 2$, and *bold* otherwise. We also say that \mathcal{D} is *nice* if for every thin vertex $t \in V(T)$ we have $N(V(G_t)) \cap \bigcup_{b \text{ is a sibling of } t} V(G_b) = \emptyset$. In other words, there is no edge from a vertex of G_t to a vertex of G_b , for any sibling b of t , whenever t is thin. The notion of nice tree-cut decompositions has been introduced by Ganian et al. in [13]. Furthermore, they proved the following result.

Proposition 1 ([13]). *Every rooted tree-cut decomposition can be transformed into a nice one without increasing the width.*

We say that an edge of G *crosses* the bag X_t , for some $t \in V(T)$ if its endpoints belongs to bags X_{t_1} and X_{t_2} , for some $t_1, t_2 \in V(T)$ such that t belongs to the interior of the (unique) path of T connecting t_1 to t_2 .

3 From tree-cut decompositions to tree-partitions

The purpose of this section is to prove the following theorem.

Theorem 2. *For every connected graph G , and every connected graph H with at least one edge, there is a graph G' such that*

- $\text{tpw}(G') \leq (\text{tcw}(G) + 1)^2/2$,
- $\text{pack}_{H^+}(G') \leq \text{pack}_H(G)$, and
- $\text{cover}_H(G) \leq \text{cover}_{H^+}(G')$.

Theorem 2 will allow us in Section 4 to consider graphs of bounded tree-partition width instead of graphs of bounded tree-cut width. Before we proceed with the proof of Theorem 2, we need some definitions and a series of auxiliary results.

For every graph G , we define G^+ as the graph obtained if, for every vertex v , we add two new vertices v' and v'' and the edges $\{v', v''\}$ (of multiplicity 2), $\{v, v'\}$ and $\{v, v''\}$ (both of multiplicity 1). Observe that for every G , we have $\text{m}\delta(G^+) \geq 3$. We also define

G^* as the graph obtained by adding, for every vertex v , the new vertices $v'_1, \dots, v'_{\text{mdeg}(v)}$ and $v''_1, \dots, v''_{\text{mdeg}(v)}$ and the edges $\{v'_i, v''_i\}$ (of multiplicity 2), $\{v, v'_i\}$, and $\{v, v''_i\}$ (both of multiplicity 1), for every $i \in \{1, \dots, \text{deg}(v)\}$. If v is a vertex of G , then we denote by $Z_{v,i}$ the subgraph $G^*[\{v, v'_i, v''_i\}]$ for every $i \in \{1, \dots, \text{mdeg}_G(v)\}$.

Our first aim is to prove the following three lemmata.

Lemma 1. *Let G be a graph, let H be a connected graph with at least one edge and let G' be a subdivision of G^* . Then we have*

- $\mathbf{pack}_{H^+}(G^*) = \mathbf{pack}_{H^+}(G')$ and
- $\mathbf{cover}_{H^+}(G^*) = \mathbf{cover}_{H^+}(G')$.

Proof. We denote by S the set of subdivision vertices added during the construction of G' from G^* . As G' is a subdivision of G^* , we have $\mathbf{pack}_{H^+}(G') \geq \mathbf{pack}_{H^+}(G^*)$ and $\mathbf{cover}_{H^+}(G') \geq \mathbf{cover}_{H^+}(G^*)$.

As a consequence of Observation 1 and the fact that $\text{m}\delta(H^+) \geq 3$, if M is an H^+ -immersion expansion in G' then no branch vertex of M belongs to S . Indeed, every vertex of S has multidegree 2 in G' . Therefore, by dissolving in M the vertices of S that belong to $V(M)$, we obtain an H^+ -immersion expansion in G^* . It follows that $\mathbf{pack}_{H^+}(G^*) \geq \mathbf{pack}_{H^+}(G')$, hence $\mathbf{pack}_{H^+}(G^*) = \mathbf{pack}_{H^+}(G')$.

On the other hand, let X be an H^+ -cover of G^* and let X' be a set of edges constructed by taking, for every $e \in X$, an edge of the path of G' connecting the endpoints of e that has been created by subdividing e . Assume that X' is not an H^+ -cover of G' . According to the remark above, this implies that X is not an H^+ -cover of G^* , a contradiction. Hence X' is an H^+ -cover of G' and thus $\mathbf{cover}_{H^+}(G^*) = \mathbf{cover}_{H^+}(G')$. \square

Lemma 2. *For every two graphs H and G such that H is connected and has at least one edge, we have $\mathbf{pack}_{H^+}(G^*) \leq \mathbf{pack}_H(G)$.*

Proof. In G^* (respectively H^+), we say that a vertex is *original* if it belongs to $V(G)$ (respectively $V(H)$). Let (ϕ, ψ) be an H^+ -immersion model in G^* .

We first show that if u is an original vertex of H^+ , then $\phi(u)$ is an original vertex of G^* . By contradiction, let us assume that $\phi(u)$ is not original, for some original vertex u of H^+ . Then $\phi(u) = v'_i$ or $\phi(u) = v''_i$, for some $v \in V(G)$ and $i \in \{1, \dots, \text{mdeg}_G(v)\}$.

Observe that since H is connected and has at least one edge, every vertex of H^+ has degree at least three: let x , y , and z be the endpoints of three multiedges incident with u . Then $\psi(\{u, x\})$, $\psi(\{u, y\})$, and $\psi(\{u, z\})$ are edge-disjoint paths connecting $\phi(u)$ to three distinct vertices. This is not possible because there is an edge cut of size two, $\{\{v, v'_i\}, \{v, v''_i\}\}$, separating the two vertices v'_i and v''_i (among which is $\phi(u)$) from the rest of the graph. Consequently, if $u \in V(H^+)$ is original, then $\phi(u)$ is original.

Let us now consider an edge $\{u, v\} \in E(H)$. By the above remark, $\phi(u)$ and $\phi(v)$ are original vertices of G^* . It is easy to see that $\psi(\{u, v\})$ contains only original vertices of G^* . Indeed, if this path contained a non-original vertex w' or w'' for some original vertex w of $V(G^*)$, it would use w twice in order to reach u and v , what is not allowed.

Therefore, from the definition of H^+ , the pair $(\phi|_{V(H)}, \psi|_{E(H)})$ is an H -immersion model of G .

We proved that every H^+ -immersion-expansion of G^* contains an H -immersion-expansion that belongs to the subgraph G of G^* . Consequently every H^+ -packing of G^* contains an H -packing of the same size that belongs to G , and the desired inequality follows. \square

Lemma 3. *For every two graphs H and G such that H is connected and has at least one edge, we have $\mathbf{cover}_H(G) \leq \mathbf{cover}_{H^+}(G^*)$.*

Proof. Similarly to the proof of Lemma 2, we say that an edge of G^* is *original* if it belongs to $E(G)$. Let $X \subseteq E(G^*)$ be a minimum cover of H^+ -immersion expansions in G^* .

First case: all the edges in X are original. In this case, X is an H -cover of G as well. Indeed, if $G \setminus X$ contains an H -immersion expansion M , then $G^* \setminus X$ contains M^* that, in turn, contains H^+ . Hence in this case, $\mathbf{cover}_H(G) \leq \mathbf{cover}_{H^+}(G^*)$.

Second case: there is an edge $e \in X$ that is not original. Let v be the original vertex of G^* such that either $e \in Z_{v,l}$ for some $l \in \{1, \dots, \text{mdeg}_G(v)\}$. Let us first show the following claim.

Claim: For every $i \in \{1, \dots, \text{mdeg}_G(v)\}$, there is an edge of $Z_{v,i}$ that belongs to X .

Proof of claim: Looking for a contradiction, let us assume that for some $i \in \{1, \dots, \text{mdeg}_G(v)\}$, we have $E(Z_{v,i}) \cap X = \emptyset$. Clearly $i \neq l$. By minimality of X , the graph $G \setminus (X \setminus \{e\})$ contains an H^+ -immersion expansion M that uses e . Observe that $M' = M \setminus E(Z_{v,l}) \cup E(Z_{v,i})$ contains an H^+ -immersion expansion (since $Z_{v,l}$ and $Z_{v,i}$ are isomorphic). Hence, M' is a subgraph of $G \setminus (X \setminus \{e\})$ that contains an H^+ -immersion expansion. This is not possible as X is a cover, so we reach the contradiction we were looking for and the claim holds.

We build a set Y as follows. For every edge $f \in X$, if f is original then we add to Y . Otherwise, if v_f is the (original) vertex of G^* such that $e \in E(Z_{v_f,i})$ for some $i \in \{1, \dots, \text{mdeg}_G(v_f)\}$, then we add to Y all edges that are incident to v_f .

The above claim ensures that when a non-original edge f of X is encountered, then X contains an edge in each of $Z_{v_f,1}, \dots, Z_{v_f, \text{mdeg}_G(v_f)}$. Therefore, the same set of edges, of size $\text{mdeg}_G(v_f)$, will be added to Y when encountering an other edge from $Z_{v_f,1}, \dots, Z_{v_f, \text{mdeg}_G(v_f)}$. Consequently, $|X| = |Y|$.

Let us not show that Y is an H^+ -cover of G^* . Suppose that there exists an H^+ -immersion expansion M in $G^* \setminus Y$. Observe that since H is connected and has at least one edge, M does not belong to $\bigcup_{i \in \{1, \dots, \text{mdeg}_G(u)\}} Z_{u,i}$, for every original vertex u of G^* . Let

$$Z = \bigcup_{u \in V(G)} \bigcup_{i \in \{1, \dots, \text{mdeg}_G(u)\}} E(Z_{u,i})$$

Then M is a subgraph of $G \setminus (Y \cup Z)$. As $X \subseteq Y \cup Z$, this contradicts the fact that X is a cover. Therefore, Y is an H^+ -cover. Moreover all the edges in Y are original. As this situation is treated by the first case above, we are done. \square

We are now ready to prove Theorem 2.

Proof of Theorem 2. Let $k = \mathbf{tcw}(G)$. We examine the nontrivial case where G is not a tree, i.e., $\mathbf{tcw}(G) \geq 2$. Let us consider the graph G^* . We claim that $\mathbf{tcw}(G^*) = \mathbf{tcw}(G)$. Indeed, starting from an optimal tree-cut decomposition of G , we can, for every vertex v of G and for every $i \in \{1, \dots, \text{mdeg}_G(v)\}$, create a bag that is a children of the one of v and contains $\{v'_i, v''_i\}$. According to the definition of G^* , this creates a tree-cut decomposition $\mathcal{D} = ((T, s), \{X_t\}_{t \in V(T)})$ of G^* . Observe that for every vertex x that we introduced to the tree of the decomposition during this process, $\text{adh}_{\mathcal{D}}(x) = 2$ and the corresponding bag has size two. This proves that $\mathbf{tcw}(G^*) \leq \max(\mathbf{tcw}(G), 2) = \mathbf{tcw}(G)$. As G is a subgraph of G^* , we obtain $\mathbf{tcw}(G) \leq \mathbf{tcw}(G^*)$ and the proof of the claim is complete.

According to Proposition 1, we can assume that G^* has a nice rooted tree-cut decomposition of width $\leq k$. For notational simplicity we again denote it by $\mathcal{D} = ((T, s), \{X_t\}_{t \in V(T)})$ and, obviously, we can also assume that all leaves of T correspond to non-empty bags.

Our next step is to transform the rooted tree-cut decomposition \mathcal{D} into a rooted tree-partition $\mathcal{D}' = ((T, s), \{X'_t\}_{t \in V(T)})$ of a subdivision G' of G^* . Notice that the only differences between two decompositions are that, in a tree-cut decomposition, empty bags are allowed as well as edges connecting vertices of bags corresponding to non-adjacent vertices of T .

We proceed as follows: if X is a bag crossed by edges, we subdivide every edge crossing X and add the obtained subdivision vertex to X . By repeating this process we decrease at each step the number of bags crossed by edges, that eventually reaches zero. Let G' be the obtained graph and observe that G' is a subdivision of G . As G is connected, the obtained rooted tree-cut decomposition $\mathcal{D}' = ((T, s), \{X'_t\}_{t \in V(T)})$ is a rooted tree partition of G' .

Notice that the adhesion of any bag of T in \mathcal{D} is the same as in \mathcal{D}' . However, the bags of \mathcal{D}' may grow during the construction of G' . Let t be a vertex of T and let $\{t_1, \dots, t_m\}$ be the set of children of t . We claim that $|X'_t| \leq (k+1)^2/2$.

Let E_t be the set of edges crossing X_t in G . Let H_t be the torso of \mathcal{D} at t , and let $H'_t = H_t \setminus X_t$. Observe that $|E_t|$ is the same as the number of edges in H'_t . Let z_p be the vertex of H'_t corresponding to the parent of t , and similarly for each $i \in \{1, \dots, m\}$ let z_i be the vertex of H'_t corresponding to the child t_i of t . Notice that if t_i is a thin child of t , then z_i can be adjacent to only z_p as \mathcal{D} is a nice rooted tree-cut decomposition. Thus the sum of the number of incident edges with z_i in H'_t for all thin children t_i of t is at most $\text{adh}_{\mathcal{D}}(t) \leq k$. On the other hand, if t_i is a bold child of t , then z_i has at least 3 neighbors in H_t , and thus it is contained in the 3-center of (H_t, X_t) . Thus, the number of all bold children of t is bounded by $k - |X_t|$. Since each vertex in H'_t is incident with at most k edges, the total number of edges in H'_t is at most $(k - |X_t| + 1)k/2 + k$. As $|E(H'_t)| = |E_t| = |X'_t \setminus X_t|$, it implies that $|X'_t| \leq |X_t| + k \cdot (k - |X_t| + 2)/2 \leq \max\{2k, k(k+2)/2\} \leq (k+1)^2/2$. We conclude that G' has a rooted tree partition of width at most $(\mathbf{tcw}(G) + 1)^2/2$.

Recall that G' is a subdivision of G^* . By the virtue of Lemmata 3, 2, and 1, we obtain

that $\mathbf{pack}_{H^+}(G') \leq \mathbf{pack}_H(G)$ and $\mathbf{cover}_H(G) \leq \mathbf{cover}_{H^+}(G')$. Hence G' satisfies the desired properties. \square

4 Erdős-Pósa for bounded tree-partition width

Before we proceed, we require the following lemma and an easy observation.

Lemma 4. *Let G and H be two graphs and let $X \subseteq V(G)$. Let \mathcal{C} be the collection of connected components of $G \setminus X$. If M is an H -immersion expansion of G then M contains vertices from at most $(|X| + 1) \cdot |E(H)|$ graphs of \mathcal{C} .*

Proof. Let P be a certifying path of M connecting two branch vertices of M . Since P is a path, it cannot use twice the same vertex of X . Besides, as X is a separator, P must go through a vertex of X in order to go from one graph of \mathcal{C} to an other one. Therefore, P contains vertices from at most $|X| + 1$ graphs of \mathcal{C} . The desired bound follows as $E(M)$ is partitioned into $|E(H)|$ certifying paths. \square

Observation 2. *Let G and H be graphs and let $F \subseteq E(G)$. Then it holds that $\mathbf{cover}_H(G) \leq \mathbf{cover}_H(G \setminus F) + |F|$.*

For a graph H , we define $\omega_H : \mathbb{N} \rightarrow \mathbb{N}$ so that $\omega_H(r) = \lceil r \cdot \frac{3r+1}{2} \cdot |E(H)| \rceil$. The next Theorem is an important ingredient of our results.

Theorem 3. *Let H be a connected graph with at least one edge. Then for every graph G it holds that $\mathbf{cover}_H(G) \leq \omega_H(\mathbf{tpw}(G)) \cdot \mathbf{pack}_H(G)$*

Proof. Let us show by induction on k that if $\mathbf{pack}_H(G) \leq k$ and $\mathbf{tpw}(G) \leq r$ then $\mathbf{cover}_H(G) \leq \omega_H(r) \cdot k$.

The case $k = 0$ is trivial. Let us now assume that $k \geq 1$ and that for every graph G of tree-partition width at most r and such that $\mathbf{pack}_H(G) = k - 1$, we have $\mathbf{cover}_H(G) \leq \omega_H(r)(k - 1)$. Let G be a graph such that $\mathbf{pack}_H(G) = k$ and $\mathbf{tpw}(G) \leq r$. Let also $\mathcal{D} = ((T, s), \{X_t\}_{t \in V(T)})$ be an optimal rooted tree partition of G . We say that a vertex $t \in V(T)$ is *infected* if G_t contains an H -immersion expansion. Let t be an infected vertex of T of minimum height.

Claim: If some of the H -immersion expansions of G shares an edge with $G_{t'}$ for some child t' of t , then it also shares an edge with $E_{\{t, t'\}}$.

Proof of claim: Let M be some H -immersion expansions of G . Notice that, by the choice of t , M cannot be entirely inside in $G_{t'}$. This fact, together with the connectivity of M , implies that $E(M) \cap E_{\{t, t'\}} \neq \emptyset$.

Suppose that M be an H -immersion expansion of G_t and let U be the set of children of t corresponding to bags which share vertices with M . We define the multisets $A = E(G[X_t])$, $B = \bigcup_{t' \in U} E_{\{t, t'\}}$ and $C = \bigcup_{t' \in U} E(G_{t'})$. We also set $D = A \cup B$. By the definition of U , it follows that $E(M) \subseteq C \cup D$ (1).

Let us upper-bound the size of $|D|$. Applying Lemma 4 for G_t , H , and X_t , we have $|U| \leq (r+1) \cdot |E(H)|$, hence $|B| \leq r(r+1) \cdot |E(H)|$. Besides, every path of M connecting two branch vertices meets every vertex of X_t at most once (as it is a path), thus $E(M)$

does not contain an edge of $G[X_t]$ with a multiplicity larger than $|E(H)|$. It follows that $|A| \leq \frac{r(r-1)}{2} \cdot |E(H)|$ and finally we obtain that $|D| = |A| \cup |B| \leq r \cdot \frac{3r+1}{2} \cdot |E(H)| = \omega_H(r)$.

Let $G' = G \setminus D$. We now show that $\mathbf{pack}_H(G') \leq k - 1$. Let us consider an H -immersion expansion M' in G' . As $E(M') \subseteq E(G) \setminus D$, it follows that $E(M') \cap D = \emptyset$. **(2)**

Recall that $B \subseteq D$, which together with **(2)** implies that $E(M') \cap B = \emptyset$. This fact, combined with the claim above, implies that $E(M') \cap C = \emptyset$. **(3)** From **(2)** and **(3)**, we obtain that $E(M') \cap (C \cup D) = \emptyset$, which, combined with **(1)**, implies that $E(M) \cap E(M') \neq \emptyset$. Consequently, every maximum packing of H -immersion expansions in G' is edge-disjoint from M . If such a packing had size $\geq k$, it would form together with M a packing of size $k + 1$ in G , a contradiction. Thus $\mathbf{pack}_H(G') \leq k - 1$, as desired. By the induction hypothesis applied on G' , $\mathbf{cover}_H(G') \leq \omega_H(r) \cdot (k - 1)$ edges. Therefore, from Observation 2, $\mathbf{cover}_H(G) \leq |C| + \mathbf{cover}_H(G') \leq |C| + \omega_H(r) \cdot (k - 1) \leq \omega_H(r) \cdot k$ edges as required. \square

We set $\sigma : \mathbb{N} \rightarrow \mathbb{N}$ where $\sigma(r) = \lceil \frac{1}{8}(3(r+1)^4 + 2(r+1)^2) \rceil$.

Theorem 4. *Let H be a connected graph with at least one edge, $r \in \mathbb{N}$, and G be a graph where $\mathbf{tcw}(G) \leq r$. Then $\mathbf{cover}_H(G) \leq \sigma(r) \cdot (4 \cdot |V(H)| + |E(H)|) \cdot \mathbf{pack}_H(G)$.*

Proof. Clearly, we can assume that G is connected, otherwise we work on each of its connected components separately. By Theorem 2, there is a graph G' where $\mathbf{tpw}(G') \leq (r+1)^2/2$, $\mathbf{pack}_{H^+}(G') \leq \mathbf{pack}_H(G)$ and $\mathbf{cover}_H(G) \leq \mathbf{cover}_{H^+}(G')$. The result follows as, from Theorem 3, $\mathbf{cover}_{H^+}(G') \leq \omega_{H^+}((r+1)^2/2) \cdot \mathbf{pack}_{H^+}(G')$ and $\omega_{H^+}((r+1)^2/2) = \sigma(r) \cdot |E(H^+)| \leq \sigma(r) \cdot (4 \cdot |V(H)| + |E(H)|)$. \square

5 Erdős-Pósa for immersions of subcubic planar graphs

Grids and Walls. Let k and r be positive integers where $k, r \geq 2$. The $(k \times r)$ -grid $\Gamma_{k,r}$ is the Cartesian product of two paths of lengths $k - 1$ and $r - 1$ respectively. We denote by Γ_k the $(k \times k)$ -grid. The k -wall W_k is the graph obtained from a $((k+1) \times (2 \cdot k + 2))$ -grid with vertices (x, y) , $x \in \{1, \dots, k+1\}$, $y \in \{1, \dots, 2k+2\}$, after the removal of the “vertical” edges $\{(x, y), (x+1, y)\}$ for odd $x + y$, and then the removal of all vertices of degree 1.

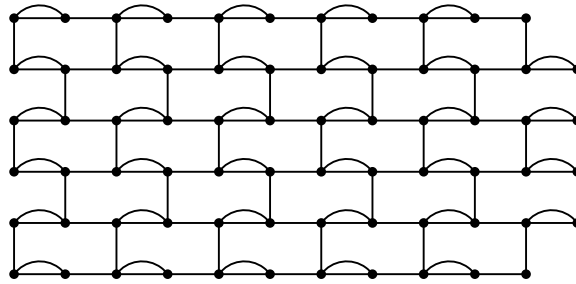


Figure 1: The graph W_5^+ .

Let W_k be a wall. We denote by $P_j^{(v)}$ the shortest path connecting vertices $(1, 2j)$ and $(k+1, 2j)$, $j \in [k]$ and call these paths the *vertical paths of W_k* , with the assumption that $P_j^{(v)}$ contains only vertices (x, y) with $y = 2j, 2j - 1$. Note that these paths are vertex-disjoint. Similarly, for every $i \in [k+1]$ we denote by $P_i^{(h)}$ the shortest path connecting vertices $(i, 1)$ and $(i, 2k+2)$ (or $(i, 2k+1)$ if $(i, 2k+2)$ has been removed) and call these paths the *horizontal paths of W_k* . Let $E = \{e \mid e \in E(P_j^{(v)}) \cap E(P_i^{(h)}), j \in \{1, 2, \dots, k\}, i \in \{1, 2, \dots, k+1\}\}$. We obtain W_k^+ by W_k by adding a second copy of every edge in E . (For an example, see Figure 1.)

Strong immersions. If in the definition on when a graph G contains a graph H as an immersion we additionally demand that no branch vertex is an internal vertex of any certifying path, then the function (ϕ, ψ) is an *H -strong-immersion model* and we say that G contains H as a strong immersion.

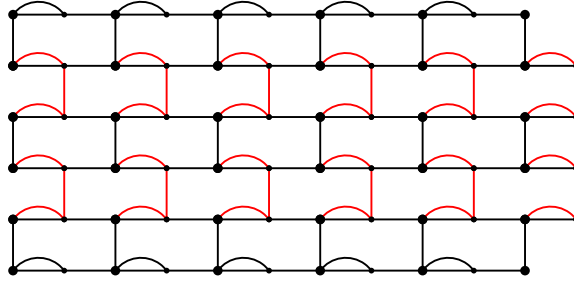


Figure 2: Finding a subdivision of Γ_k as a strong immersion in W_k^+ .

Observation 3. For every integer $k \geq 2$, there is a Γ_k -strong-immersion model (ϕ, ψ) in W_k^+ such that $\phi(V(\Gamma_k)) = \{(i, 2j+1) \mid 1 \leq i \leq k+1, 0 \leq j \leq k\}$ is the set of its branch vertices.

Figure 2 illustrates how we may find a subdivision of Γ_k as a strong immersion in W_k^+ . We also need the following result.

Lemma 5 ([17]). Every simple planar subcubic graph of n vertices is a topological minor of the $\lfloor \frac{n}{2} \rfloor$ -grid.

Lemma 6. Every connected planar subcubic graph H is an immersion of the wall $W_{|V(H)|}$.

Proof. Let H be a connected planar subcubic graph and let H' be the simple subcubic planar graph obtained from H by subdividing all but one copies of every multiple edge. Since H is connected we may assume that at least $|V(H)| - 1$ edges do not get subdivided. Notice that $2|E(H)| \leq 3|V(H)|$ and thus $|E(H)| \leq \frac{3}{2}|V(H)|$. Since we add at most $|E(H)| - (V(H) - 1)$ vertices to obtain H' from H , it follows that

$$|V(H')| \leq 2|V(H)|. \quad (1)$$

Let $n = |V(H')|$. By definition, we obtain that H is a topological minor of H' and Lemma 5 yields that H' is a topological minor of $\Gamma_{\lfloor \frac{n}{2} \rfloor}$. Then H is a topological minor of $\Gamma_{\lfloor \frac{n}{2} \rfloor}$ and let (ϕ, ψ) be an H -topological-minor model in $\Gamma_{\lfloor \frac{n}{2} \rfloor}$. Let H'' denote the H -immersion expansion in $\Gamma_{\lfloor \frac{n}{2} \rfloor}$. Notice that since H is planar subsubic so is H'' .

Let (ϕ', ψ') be the $\Gamma_{\lfloor \frac{n}{2} \rfloor}$ -strong-immersion model in $W_{\lfloor \frac{n}{2} \rfloor}^+$ where

$$\phi'(V(\Gamma_{\lfloor \frac{n}{2} \rfloor})) \subseteq \{(i, 2j + 1) \mid 1 \leq i \leq \lfloor \frac{n}{2} \rfloor + 1, 0 \leq j \leq \lfloor \frac{n}{2} \rfloor\}$$

(Observation 3) and notice that its restriction to H'' yields an H'' -strong-immersion model in $W_{\lfloor \frac{n}{2} \rfloor}^+$. Let W' be the H'' -immersion expansion in $W_{\lfloor \frac{n}{2} \rfloor}^+$.

To prove our lemma it is enough to show that W' contains a strong immersion model of H'' such that its H'' -immersion expansion W is simple as then $W \subseteq W_{\lfloor \frac{n}{2} \rfloor}$.

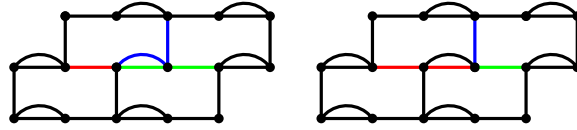


Figure 3: Swapping branch vertices.

We first show that if W' contains a vertex z of $\phi'(V(\Gamma_{\lfloor \frac{n}{2} \rfloor}))$ then $z \in \phi'(V(H''))$. Let us assume, to the contrary, that W' contains a vertex z such that $z \in \phi'(V(\Gamma_{\lfloor \frac{n}{2} \rfloor})) \setminus \phi'(V(H''))$. Then z is internal to one of the certifying paths of the H'' -immersion expansion in $W_{\lfloor \frac{n}{2} \rfloor}^+$. However, by definition, this path corresponds to an edge e of $\Gamma_{\lfloor \frac{n}{2} \rfloor}$ and is also a certifying path of e in the $\Gamma_{\lfloor \frac{n}{2} \rfloor}$ -immersion expansion in $W_{\lfloor \frac{n}{2} \rfloor}^+$. As the path contains internally a branch vertex of $\Gamma_{\lfloor \frac{n}{2} \rfloor}$ we end up to a contradiction since we considered a $\Gamma_{\lfloor \frac{n}{2} \rfloor}$ -strong-immersion model in $W_{\lfloor \frac{n}{2} \rfloor}^+$.

Let now E be the set $\{e = \{u_e, v_e\} \mid \text{two copies of } e \text{ belong to } W'\}$. Notice that for every $e \in E$, one of its endpoints, say u_e belongs to $\phi'(V(\Gamma_{\lfloor \frac{n}{2} \rfloor}))$. Then, it also holds that $u_e \in \phi'(V(H''))$. Recall that for every $e \in E$ the degree of u_e in W' is at most 3 (as it is an H'' -immersion expansion). Since we are working on a strong immersion model of H'' all edges incident to u_e belong to paths joining u_e to other branch vertices. Then notice that by mapping each vertex $\phi'^{-1}(u_e)$ to v_e , $e \in E$ we may find a strong immersion model of H'' where the corresponding immersion expansion does not contain multiple edges (Figure 3). Thus we obtain a strong immersion model of H'' in W' such that its H'' -immersion expansion is simple. As $n \leq 2|V(H)|$, we obtain that H is a strong immersion of $W_{|V(H)|}$. \square

By combining [28, Theorem 7] with the main result of [7] (see also [6]) we can readily obtain the following.

Theorem 5. *There is a function $\tau : \mathbb{N}^+ \rightarrow \mathbb{N}$ such that the following holds: for every graph G and $r \in \mathbb{N}^+$, if $\mathbf{tcw}(G) \geq f(r)$ then W_r is an immersion of G . Moreover, $f(r) = O(r^{29} \text{polylog}(r))$.*

Lemma 7. *Let G be a graph and let H be a connected planar subcubic graph on h vertices. Then $\mathbf{tcw}(G) = O(h^{29} \cdot (\mathbf{pack}_{\mathcal{I}(H)}(G))^{14.5} \cdot (\text{polylog}(h) + \text{polylog}(\mathbf{pack}_{\mathcal{I}(H)}(G))))$.*

Proof. Let $\mathbf{pack}_H(G) \leq k$. Let $g(h, k) = f((h+1) \cdot \lceil (k+1)^{1/2} \rceil)$, where f is the function of Theorem 5. Suppose that $\mathbf{tcw}(G) \geq g(h)$. Then, from Theorem 5, we obtain that G contains the wall W of height $(h+1) \cdot \lceil (k+1)^{1/2} \rceil$ as an immersion. Notice that W contains $k+1$ vertex-disjoint walls W_1, W_2, \dots, W_{k+1} of height h . From Lemma 6, each one of these walls contains H as an immersion and thus an H -immersion expansion. Since, these walls are vertex-disjoint they are also edge-disjoint. Hence, we have found a packing of H of size $k+1 > k$, a contradiction. Therefore, $\mathbf{tcw}(G) \leq g(h, k)$. Notice now that, from Theorem 5, $g(h, k) = O(h^{29} k^{14.5} (\text{polylog}(h) + \text{polylog}(k)))$ as required. \square

The edge version of Theorem 1 follows as a corollary of Theorem 4 and Lemma 7.

6 The vertex case

To prove the vertex version of Theorem 1, is a much easier task. For this, we follow the same methodology by using the graph parameter of treewidth instead of tree-cut width, and topological minors instead of immersions.

Treewidth. A graph H is k -chordal if it does not contain any induced cycle of length at least 4 and no clique one more than $k+1$ vertices. The *treewidth* of a graph G is the minimum k for which G is a subgraph of a k -chordal graph.

Topological Minors. Let H and G graphs. Similarly to the definition of immersions, we say that G contains H as a *topological minor* if there is pair of functions (ϕ, ψ) , called *H -topological-minor model* such that ϕ is an injection of $V(H) \rightarrow V(G)$ and ψ sends $\{u, v\}_i$ to a path of G between $\phi(u)$ and $\phi(v)$, for every $\{u, v\} \in E(H)$ and every $i \in \{1, \dots, \text{mult}_H(\{u, v\})\}$, in a way such that distinct edges are sent to internally vertex-disjoint paths. Every vertex in the image of ϕ is called a *branch vertex*. Observe that if (ϕ, ψ) is an H -topological-minor model in G then (ϕ, ψ) is an H -strong-immersion model in G .

For the proof of the vertex case of Theorem 1, we require the following two “vertex counterparts” of Theorem 4 and Lemma 7 respectively.

Proposition 2. *Let \mathcal{H} be a class of connected graphs and let t be a non-negative integer. Then \mathcal{H} has the v-E&P property for the graphs of treewidth at most t with a gap that is a polynomial function on t .*

Lemma 8. *Let G be a graph and let H be a connected planar graph on h vertices and without any $\mathcal{I}(H)$ -vertex packing of size greater than k . Then $\mathbf{tw}(G) = (h \cdot k)^{O(1)}$.*

Proposition 2 was proven by Thomassen in [27] (see also [4, 12]). For Lemma 8, we need the fact that there is a polynomial function $\lambda : \mathbb{N}^+ \rightarrow \mathbb{N}$ such that for every $r \in \mathbb{N}^+$, every graph with treewidth at least $\lambda(r)$ contains W_r as a topological minor.

The existence of such a function λ follows from the *grid exclusion theorem* of Robertson and Seymour in [24] (see also [8, 25]) and the polynomiality of λ was proved recently by Chekuri and Chuzhoy in [5] (see also [6, 7] for improvements). Then Lemma 8 can be proved using the same arguments as in Lemma 7, taking into account that Lemma 6 also holds if we consider topological minors instead of immersions and the fact that a topological minor model is also an immersion model.

The vertex version of Theorem 1 follows from Proposition 2 and Lemma 8 if, in Proposition 2, we set $\mathcal{H} = \mathcal{I}(H)$ and $t = (h \cdot k)^{O(1)}$.

7 Discussion

Notice that in Theorem 1 we demand that H is a connected graph. It is easy to extend this result if instead of H we consider some collection \mathcal{H} is of connected graphs containing one that is planar subcubic and where $\mathcal{I}(H)$ contains all graphs containing some graph in \mathcal{H} as an immersion. Moreover, it is easy to drop the connectivity condition for the vertex variant using arguments from [24]. However it remains open whether this can be done for the edge variant as well.

Naturally, the most challenging problem on the Erdős–Pósa properties of immersions is to characterize the graph classes:

$$\mathcal{H}^{v/e} = \{H \mid \mathcal{I}(H) \text{ has the } v/e\text{-E\&P property}\}$$

In this paper we prove that both \mathcal{H}^v and \mathcal{H}^e contain all planar subcubic graphs. It is an interesting question whether $\mathcal{H}^{v/e}$ are wider than this. Using arguments similar to [22, 24] it is possible to prove the following.

Lemma 9. *None of \mathcal{H}^v and \mathcal{H}^e contains a non-planar subcubic graph.*

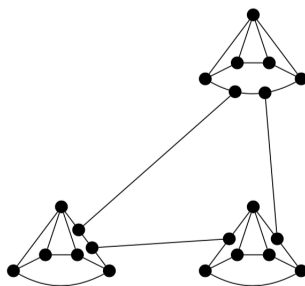


Figure 4: A biconnected graph H for which $\mathcal{I}(H)$ does not have the v/e -E&P property.

Actually, the arguments of [22, 24] permit to exclude all non-planar graphs from \mathcal{H}^v . For the non-subcubic case, we can first observe that $K_{1,4}$, which is planar and non-subcubic belongs in both \mathcal{H}^v and \mathcal{H}^e . However, this is not the case for all planar and non-subcubic graphs as is indicated in the following observation.

Observation 4. *There exists a 3-connected non-subcubic graph H that does not belong to \mathcal{H}^v nor to \mathcal{H}^e .*

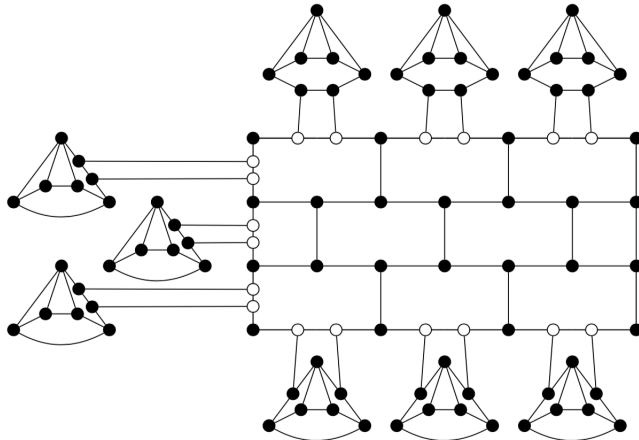


Figure 5: The host graph G .

Proof. Thomassen in [27] provided an example of a tree that does not belong in \mathcal{H}^v (the same graph does not belong in \mathcal{H}^e either). Inspired by the construction of [27], we consider first the graph H is depicted in Figure 4. To see that $H \notin \mathcal{H}^v$ and $H \notin \mathcal{H}^e$, consider as host graph G the graph in Figure 5. This graph consists of a main body that is a wall of height 3 and three triples of graphs attached at its upper, leftmost, and lower paths. Each of these triples consists of three copies of some of the 3-connected components of H . Notice that G does not contain more than one H -immersion expansion. However, in order to cover all H -immersion expansions of G one needs to remove at least 3 edges/vertices. By increasing the height of the wall of G , we may increase the minimum size of an $\mathcal{I}(H)$ -vertex/edge cover while no $\mathcal{I}(H)$ -vertex/edge packing of size greater than 1 will appear. It is easy to modify H so to make it 3-connected: just add a new vertex and make it adjacent with the tree vertices of degree 4. The resulting graph H' remains planar. The same arguments, applied to an easy modification of the host graph, can prove that H' is not a graph in \mathcal{H}^v or \mathcal{H}^e . \square

Providing an exact characterization of \mathcal{H}^v and \mathcal{H}^e is an insisting open problem. A first step to deal with this problem could be the cases of $\theta_4 = \text{leaf}$ and the 4-wheel wheel_4 . Especially for the 4-wheel, the structural results in [1] might be useful in this direction.

References

- [1] Rémy Belmonte, Archontia Giannopoulou, Daniel Lokshtanov, and Dimitrios M. Thilikos. The Structure of W_4 -Immersion-Free Graphs. *ArXiv e-prints*, February 2016.

- [2] Etienne Birmelé, John Adrian Bondy, and Bruce A. Reed. The Erdős-Pósa property for long circuits. *Combinatorica*, 27(2):135–145, 2007.
- [3] D. Chatzidimitriou, J.-F. Raymond, I. Sau, and D. M. Thilikos. Minors in graphs of large θ_r -girth. *ArXiv e-prints*, 1510.03041, October 2015.
- [4] Chandra Chekuri and Julia Chuzhoy. Large-treewidth graph decompositions and applications. In *45th Annual ACM Symposium on Theory of Computing (STOC)*, pages 291–300, 2013.
- [5] Chandra Chekuri and Julia Chuzhoy. Polynomial bounds for the grid-minor theorem. *CoRR*, abs/1305.6577, 2013.
- [6] Julia Chuzhoy. Excluded grid theorem: Improved and simplified. In *Proceedings of the Forty-Seventh Annual ACM Symposium on Theory of Computing, STOC 2015, Portland, OR, USA, June 14-17, 2015*, pages 645–654, 2015.
- [7] Julia Chuzhoy. Improved bounds for the excluded grid theorem. *CoRR*, abs/1602.02629, 2015.
- [8] Reinhard Diestel. *Graph Theory*, volume 173 of *Graduate Texts in Mathematics*. Springer-Verlag, Heidelberg, third edition, 2005.
- [9] Reinhard Diestel, Ken-ichi Kawarabayashi, and Paul Wollan. The Erdős-Pósa property for clique minors in highly connected graphs. *Journal of Combinatorial Theory, Series B*, 102(2):454 – 469, 2012.
- [10] Guoli Ding and Bogdan Oporowski. On tree-partitions of graphs. *Discrete Mathematics*, 149(1-3):45–58, 1996.
- [11] Paul Erdős and Louis Pósa. On independent circuits contained in a graph. *Canadian Journal of Mathematics*, 17:347–352, 1965.
- [12] Fedor V. Fomin, Saket Saurabh, and Dimitrios M. Thilikos. Strengthening Erdős-Pósa property for minor-closed graph classes. *Journal of Graph Theory*, 66(3):235–240, 2011.
- [13] Robert Ganian, Eun Jung Kim, and Stefan Szeider. Algorithmic applications of tree-cut width. In Giuseppe F. Italiano, Giovanni Pighizzini, and Donald T. Sannella, editors, *Mathematical Foundations of Computer Science 2015*, volume 9235 of *Lecture Notes in Computer Science*, pages 348–360. Springer Berlin Heidelberg, 2015.
- [14] Jim Geelen and Kasper Kabell. The Erdős-Pósa property for matroid circuits. *J. Comb. Theory Ser. B*, 99(2):407–419, March 2009.
- [15] Rudolf Halin. Tree-partitions of infinite graphs. *Discrete Mathematics*, 97(1–3):203 – 217, 1991.

- [16] Naonori Kakimura and Ken-ichi Kawarabayashi. Fixed-parameter tractability for subset feedback set problems with parity constraints. *Theor. Comput. Sci.*, 576:61–76, 2015.
- [17] Goos Kant. Drawing planar graphs using the canonical ordering. *Algorithmica*, 16(1):4–32, 1996.
- [18] Ken-Ichi Kawarabayashi and Atsuhiro Nakamoto. The erdős–pósa property for vertex- and edge-disjoint odd cycles in graphs on orientable surfaces. *Discrete Mathematics*, 307(6):764 – 768, 2007.
- [19] Daniel Král’ and Heinz-Jürgen Voss. Edge-disjoint odd cycles in planar graphs. *Journal of Combinatorial Theory, Series B*, 90(1):107 – 120, 2004.
- [20] Chun-Hung Liu. Packing and covering immersions in 4-edge-connected graphs. *CoRR*, abs/1505.00867, 2015.
- [21] Dieter Rautenbach and Bruce A. Reed. The erdos-pósa property for odd cycles in highly connected graphs. *Combinatorica*, 21(2):267–278, 2001.
- [22] Jean-Florent. Raymond, Ignasi Sau, and Dimitrios M. Thilikos. An edge variant of the Erdős-Pósa property. *ArXiv e-prints*, November 2013.
- [23] Bruce A. Reed, Neil Robertson, Paul D. Seymour, and Robin Thomas. Packing directed circuits. *Combinatorica*, 16(4):535–554, 1996.
- [24] Neil Robertson and Paul D. Seymour. Graph Minors. V. Excluding a planar graph. *Journal of Combinatorial Theory, Series B*, 41(2):92–114, 1986.
- [25] Neil Robertson, Paul D. Seymour, and Robin Thomas. Quickly excluding a planar graph. *J. Comb. Theory Ser. B*, 62(2):323–348, 1994.
- [26] Detlef Seese. Tree-partite graphs and the complexity of algorithms. In *Proceedings of Fundamentals of Computation Theory*, volume 199 of *Lecture Notes in Computer Science*, pages 412–421. Springer Berlin Heidelberg, 1985.
- [27] Carsten Thomassen. On the presence of disjoint subgraphs of a specified type. *Journal of Graph Theory*, 12(1):101–111, 1988.
- [28] Paul Wollan. The structure of graphs not admitting a fixed immersion. *J. Comb. Theory, Ser. B*, 110:47–66, 2015.